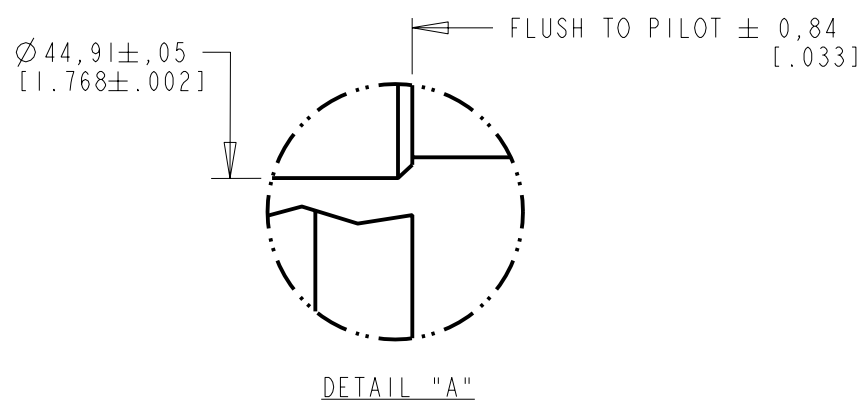


MODEL	L1	L2	L3
860	392,4 [15.45]	279,4 [11.00]	350,5 [13.80]
880	443,2 [17.45]	330,2 [13.00]	401,3 [15.80]

PIN-OUT	
POWER CONNECTOR	
PIN	FUNCTION
U	U
V	V
W	W
⊖	GND
+	BR+
-	BR-
1	-
2	-

PIN-OUT	
ENCODER CONNECTOR	
PIN	FUNCTION
1	SIN +
2	SIN -
3	COS +
4	COS -
5	DATA +
6	DATA -
7-8	-
9-10	-
11	EPWR 9V
12	ECOM
13	TS +
14	TS -
15-17	-



- NOTE:
- DXF OF THIS DRAWING MUST BE SCALED TO LENGTH ON CHART (860). MODEL SHOWN IS MPL-B880x-xJ74AA.
 - 3D STEP (.stp) FILES AVAILABLE AT ALL LENGTHS.
 - COVERS SINGLE AND MULTI-TURN ABSOLUTE ENCODER (i.e. MPL-B8xxx-MJ74AA and MPL-B8xxx-SJ74AA) B860's thru B880's.

REFERENCES		DESCRIPTION	CAD DOCUMENT	
VERSION	UNLESS OTHERWISE SPECIFIED	MPL-B8xx-x-x74AA, ESM, M40	Allen-Bradley	
00	DO NOT SCALE DRAWING DIMENSIONS ARE IN MILLIMETERS WITH INCHES REFERENCED [X] UNTOLERANCED DIMENSIONS ARE REFERENCE 3RD ANGLE PROJECTION	Rockwell Automation	SHEET 1 OF 1	
		DR. EQ DATE 2-27-09	DOCUMENT NUMBER	
		DXF 2D OR STEP 3D FILE AVAILABLE	10000048729	